

# ROBUS®

INDUSTRIAL

## FALCON 2 DUAL/QUAD POWER LED WALL LIGHT

7/12W, 17/22/26/30W, IP65



### PRODUCT INFORMATION DOCUMENT

#### FEATURES

- Available in two sizes and power ranges to suit requirements of any application
- Unique design allowing switching between two/ four power settings and CCT between 3000K and 4000K
- Offers highly efficient replacement for traditional 26W PL or 30-50W metal halide luminaires
- Cable entry secured 20mm PG gland or silicone grommet

#### CONSTRUCTION

- Polycarbonate housing and diffuser
- Complete with stainless steel screws
- RFA30X0-04 with BESA mounting facility on the back of the fitting



| Product Code:                      | RFA12X0-04     | RFA30X0-04          |
|------------------------------------|----------------|---------------------|
| Comparable to:                     | 26W PL         | 30-50W Metal Halide |
| Total Power (W):                   | 7.1/12.4       | 16.6/21.2/25.1/30.1 |
| Power Factor:                      | 0.9            | 0.9                 |
| Total Light Output (lm):           | 670/1120       | 1790/2280/2660/3120 |
| Total Emergency Light Output (lm): | NA             | NA                  |
| Efficacy (lm/cctW):                | 94/91          | 108/107/106/104     |
| Lux at 1m (lux):                   | 70/120         | 210/270/310/360     |
| Emergency Lux at 1m (lux):         | NA             | NA                  |
| CCT (K):                           | 3000/4000      | 3000/4000           |
| CRI:                               | 80             | 80                  |
| IP:                                | 65             | 65                  |
| IK:                                | 07             | 08                  |
| Operation Temperature (°C):        | -20 ≤ Ta ≤ +40 | -20 ≤ Ta ≤ +40      |
| Inrush Current:                    | 13A/37us       | 12A/5us             |
| RG Value:                          | 0              | 0                   |
| SDCM:                              | 6              | 6                   |
| P <sub>ST</sub> LM:                | NA             | NA                  |
| SVM:                               | NA             | NA                  |
| Energy Class:                      | D              | C                   |
| Rated Life to L70B50 (Hrs):        | 50000          | 50000               |
| Dimensions LxWxH (mm):             | 206x156x71     | 300x256x115         |
| Weight (kg):                       | 0.59           | 1.2                 |

| Separate Control Gear Information |          |           |
|-----------------------------------|----------|-----------|
| Type of Light Source:             | LED      | LED       |
| Full Load Efficiency (%):         | 85       | 88        |
| P <sub>NET</sub> (W):             | NA       | NA        |
| Dimensions (mm):                  | 90x47x25 | 107x43x30 |

Product is certified to all the relevant standards.

Please contact our technical department for market specific compliances.

PLEASE NOTE: INFORMATION IN THIS DOCUMENT MAY BE SUBJECT TO CHANGE WITHOUT PRIOR NOTICE

IRE: TEL: +353 1 709 9000  
 UK: TEL: 0800 973 220  
 AUS: TEL: +61 7 3890 5444  
 NZ: TEL: +64 03 668 5285

WEB: ROB.US.COM  
 WEB: ROB.US.COM  
 WEB: ROB.US.COM.AU  
 WEB: ROB.US.LED.CO.NZ

LED GROUP EUROPE · UK · AUSTRALIA · NEW ZEALAND · ASIA · MIDDLE EAST · AFRICA

### FALCON 2 DUAL/QUAD POWER LED WALL LIGHT

7/12W, 17/22/26/30W, IP65

#### Cone Illuminance Diagram

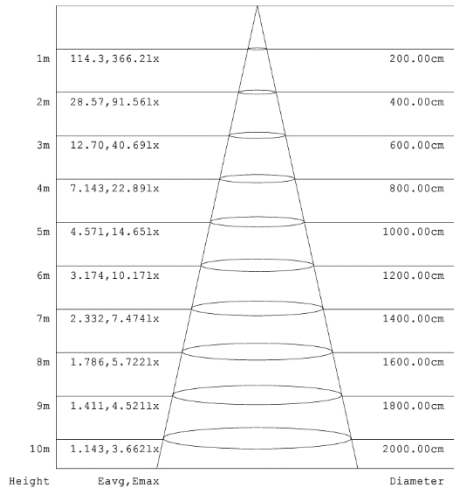


Diagram for RFA30X0-04 in 30W 4000K. Other diagrams available on request

#### Polar Intensity Diagram

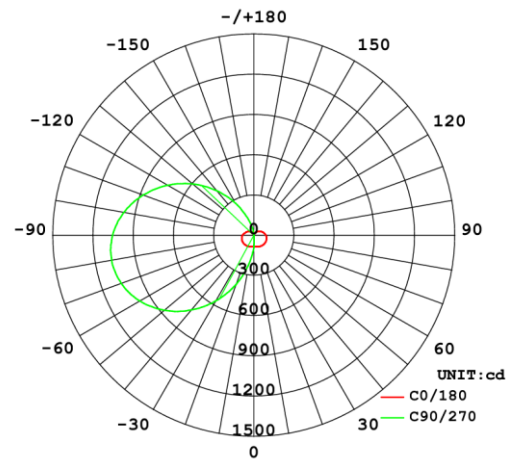
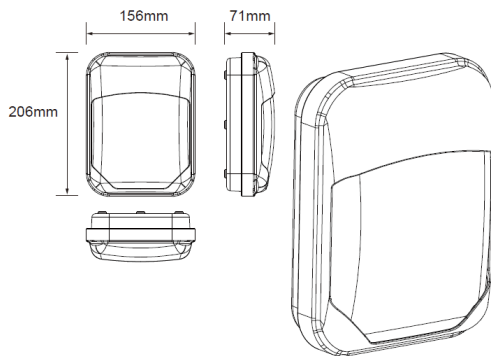


Diagram for RFA30X0-04 in 30W 4000K. Other diagrams available on request

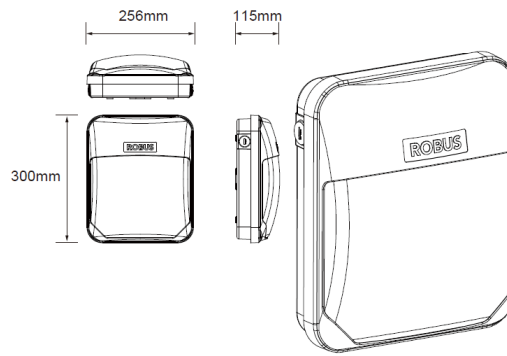
#### Dimension Diagram



RFA12X0-04

#### Accessories

NA



RFA30X0-04

#### Sensor Data

|                                |    |
|--------------------------------|----|
| Time Off Delay:                | NA |
| Illuminance Switching Range:   | NA |
| Sensitivity Range (%):         | NA |
| Mounting Height (max):         | NA |
| Detection Zone Diameter (max): | NA |

PLEASE NOTE: INFORMATION IN THIS DOCUMENT MAY BE SUBJECT TO CHANGE WITHOUT PRIOR NOTICE